

HARGROVE GAS LOGS

ROBERT SHAW 7000MV(RME-PO) MILLIVOLT GAS VALVE SYSTEM INSTALLATION INSTRUCTIONS



We recommend that our gas hearth products be installed and serviced by professionals who are certified in the U.S. by the National Fireplace Institute® (NFI) as NFI Gas Specialists.

This gas pilot safety valve provides 100% shut-off of both pilot and main burner gas supply in the event of pilot flame failure. This valve is equipped with a manual gas control knob to provide for pilot lighting. It also has a control knob that controls flame height.

If the pilot flame goes out during normal operation, or if there is insufficient pilot flame to provide proper thermocouple output, the safety valve will close, stopping the flow of all gas. This valve is designed for use on all domestic heating gases up to 1/2" PSI.

CAUTIONS

1. This valve should be installed only by an experienced service technician trained in gas safety equipment.
2. Turn off gas supply before installing valve.
3. All piping must meet applicable local codes and ordinances and the national fuel gas code (ANSI Z223.1/NFPA NO. 54)
4. All wiring must meet applicable electrical codes and ordinances.
5. Check out the complete system after installing the valve.
6. Prior to installation, verify conformance with burner manufacturer's installation instructions.
7. Make sure all piping is free of foreign matter.

FOR YOUR SAFETY

IF YOU SMELL GAS:

1. OPEN WINDOWS
2. DON'T TOUCH ELECTRICAL SWITCHES
3. EXTINGUISH ALL OPEN FLAMES
4. IMMEDIATELY CALL YOUR GAS SUPPLIER

FLAMMABLE VAPORS MAY BE DRAWN BY AIR CURRENTS FROM OTHER AREAS OF YOUR HOUSE TO THIS APPLIANCE.

FOR YOUR SAFETY

DO NOT STORE OR USE GASOLINE OR OTHER FLAMMABLE VAPORS AND LIQUIDS IN THE VICINITY OF THIS OR ANY OTHER APPLIANCE.

INSTALLATION INSTRUCTIONS

! WARNING !

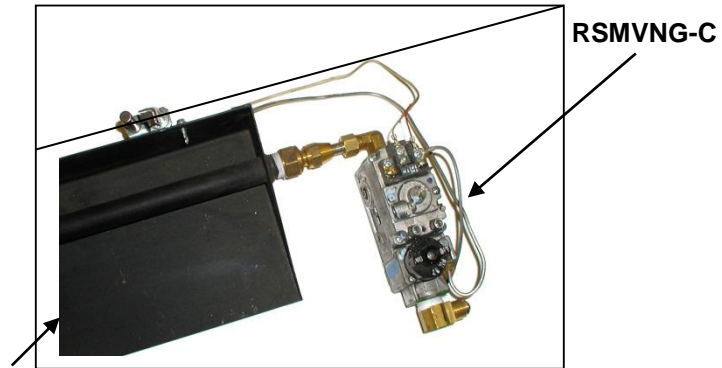
Fire hazard. Do not disassemble or attempt repair of this unit. Disassembly, reassembly or internal adjustment could cause valve to malfunction, resulting in personal injury, death or property damage. If the control valve does not operate properly following installation or service, replace the unit.

WARNING: Do not apply 110 VAC to this valve as it will cause irreparable damage and therefore will not be covered under warranty.

WARNING: Valves may not shut off if flow is not in direction of arrow on valve body.

WARNING: Warranty is void if the RSMV -C is installed behind the burner pan in the fireplace. (Fig.1)

DO NOT INSTALL RSMV-C BEHIND THE EMBER BURNER PAN IN THE FIREPLACE. RSMV-C MAY OVERHEAT.



EMBER BURNER PAN

Remote Control (optional) - ordered separately

- A. RC A12V-J - 12-Volt battery operated remote and receiver
- B. RC 110-V- requires 110-Volt electricity for the receiver

Note: Piping from gas supply to valve and from valve to burner must be supplied by installer when installed outside the firebox.

Note: Piping from gas supply to valve and from valve to burner must be supplied by installer when installed outside the firebox.

Parts List (Fig.2):

1. (RSMVNG-C) Robertshaw Millivolt Safety Gas Valve
2. (RS-HS-225) Millivolt Valve Heat Shield w/Fiberglass Mat
3. (RSTPG-48") Thermopile & Pilot Burner Assembly Kit
4. Wall Switch and Cover Plate
5. 20' of 18 Gauge Wire
6. (2) #8 X 1/2" Screw
7. (1) 49-6-8 - 1/2" X 3/8" 90 degree elbow
8. (69-6-8) 1/2 Mx3/8FL Tank Fitting

Fig.2

Parts Included In RME-PO Kit

1.



3.



5.



2.



8.



6.



4.



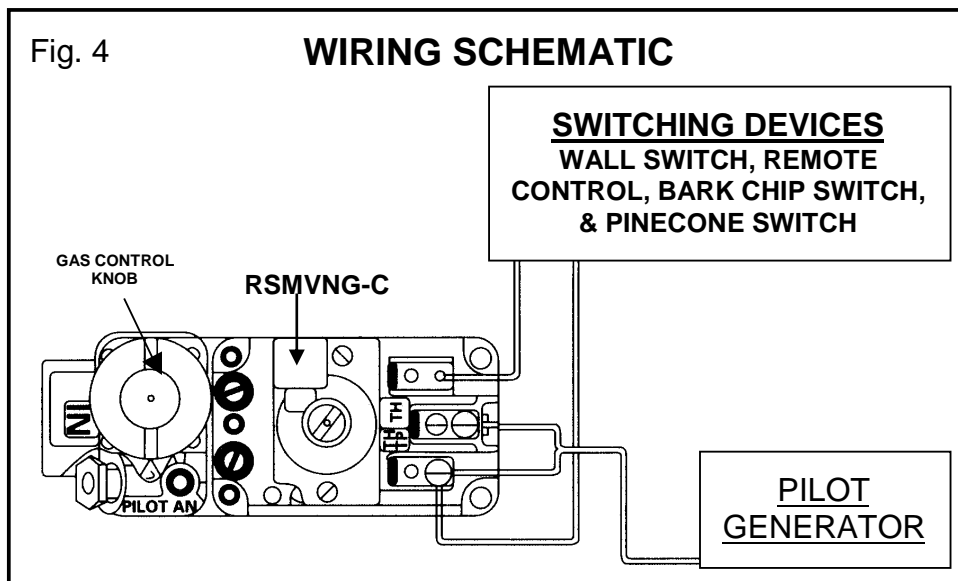
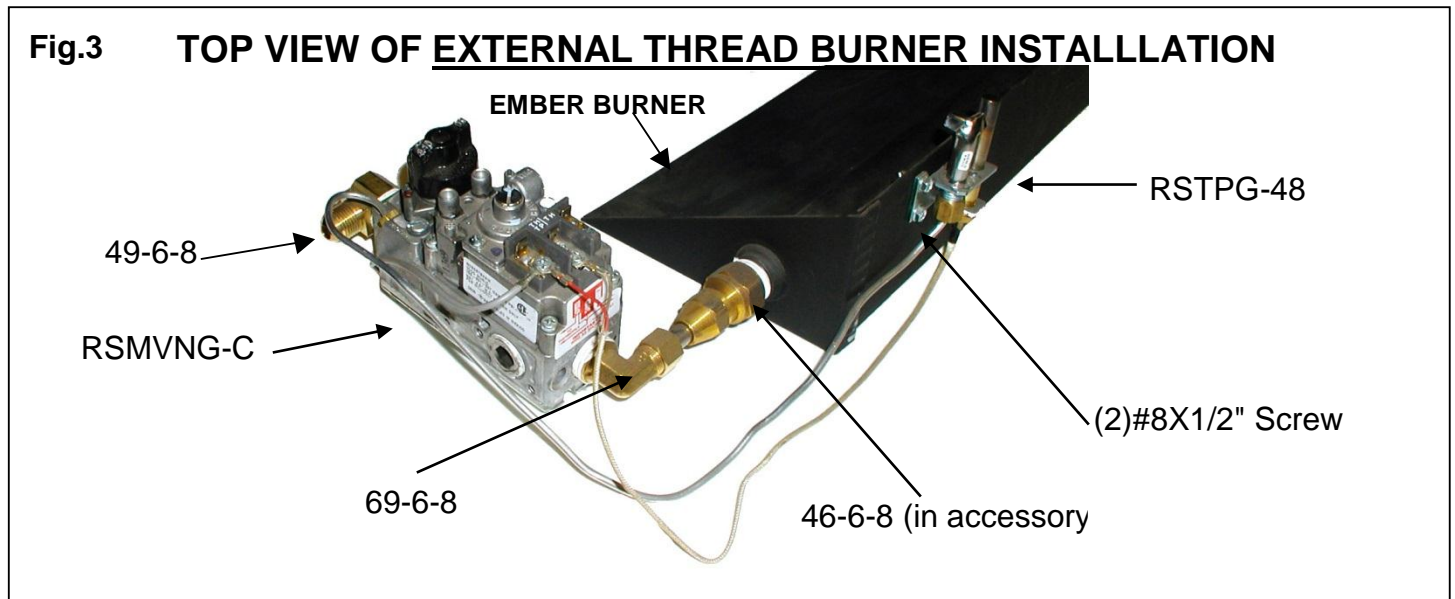
7.



EXTERANL THREAD BURNER INSTALLATION INSTRUCTIONS

Thermopile and Pilot Burner Assembly

1. Attach the pilot generator (thermopile and pilot burner assembly) to the back side of the burner pan using the (2) #8 X ½ screws.
2. Connect the opposite end of the pilot tubing to the pilot port on the gas valve.
3. Attach the leads from the thermopile (pilot generator) to the terminals labeled "TP" on the valve.
 - Make sure the pilot tubing and thermopile leads do not contact any parts that get hot or run through any areas that may have flames.



RECOMMENDED GAUGE OF WIRE WALL SWITCH & REMOTE CONTROL

WIRE SIZE	MAXIMUM LENGTH
14 Gauge	100 Ft.
16 Gauge	64 Ft.
18 Gauge	40 Ft.
20 Gauge	25 Ft.
22 Gauge	16 Ft.

WALL SWITCH- (use installation instructions accompanying any other switching device)

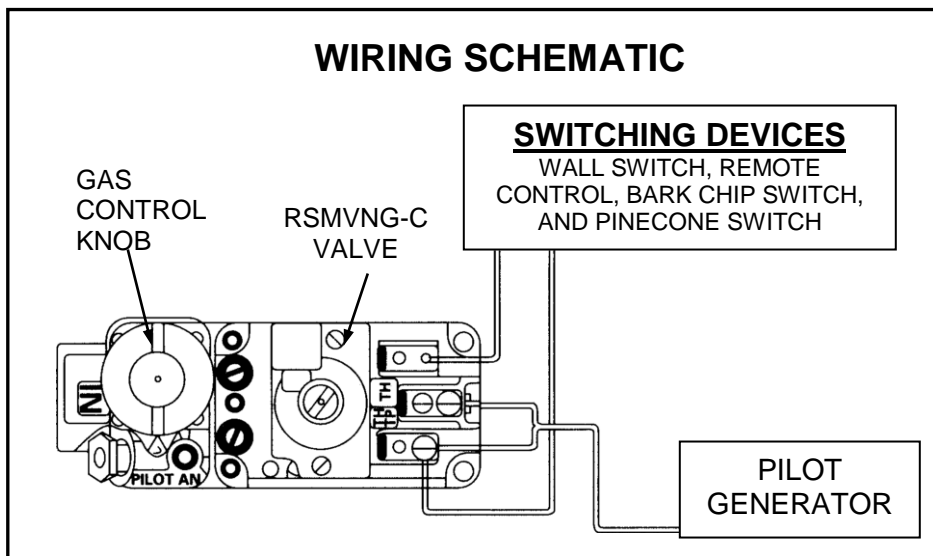
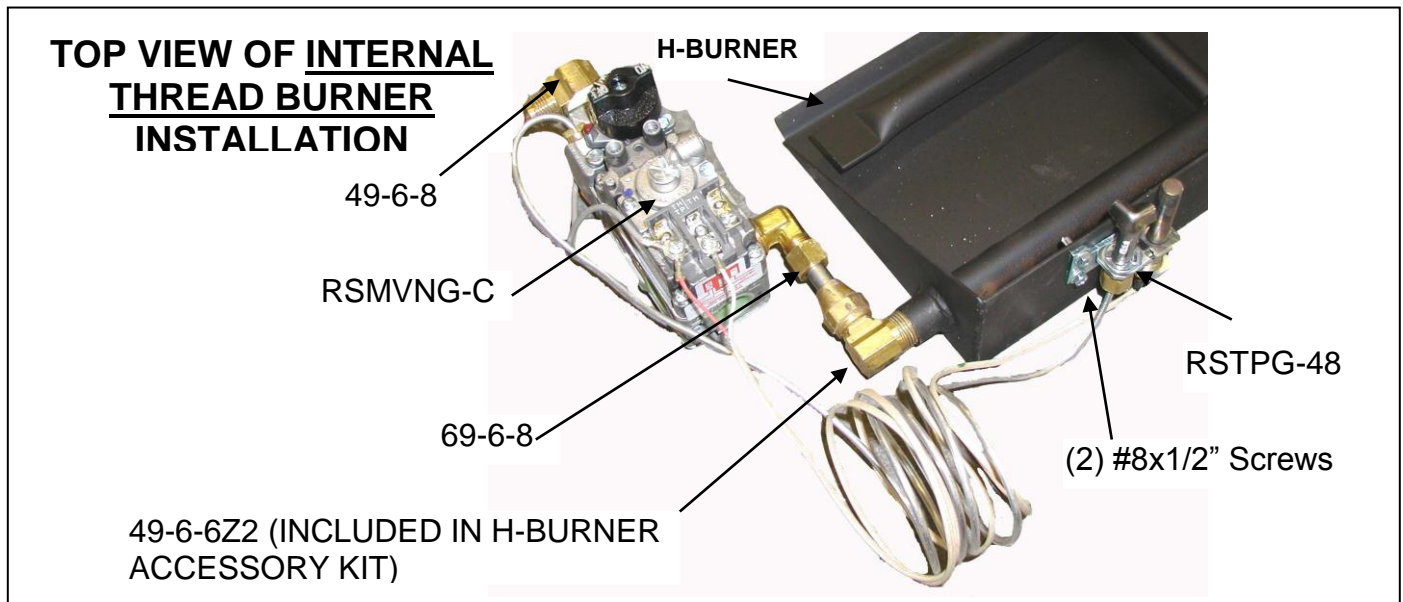
1. To install a wall switch mount a standard 3" X 2" electrical box in wall near the fireplace. Run thermostat wire (18-gauge wire) from the electrical box to the millivolt valve. At the valve, connect the lead wires to the two outside terminals labeled "TH". On the switch, connect a lead wire to each terminal. **(Fig.4)**
2. Mount the wall switch to the electrical box and install cover plate.

* If installing a remote control attach the leads from the receiver to the same terminals as the wall switch on the MV-C.

INTERNAL THREAD BURNER INSTALLATION INSTRUCTIONS

Thermopile and Pilot Burner Assembly

1. Attach the pilot generator (thermopile and pilot burner assembly) to the back side of the burner pan using the (2) #8 X 1/2 screws.
2. Connect the opposite end of the pilot tubing to the pilot port on the gas valve.
3. Attach the leads from the thermopile (pilot generator) to the terminals labeled "TP" on the valve.
 - Make sure the pilot tubing and thermopile leads do not contact any parts that get hot or run through any areas that may have flames.



RECOMMENDED GAUGE OF WIRE WALL SWITCH & REMOTE CONTROL

WIRE SIZE	MAXIMUM LENGTH
14 Gauge	100 ft.
16 Gauge	64 ft.
18 Gauge	40 ft.
20 Gauge	25 ft.
22 Gauge	16 ft.

WALL SWITCH – (use installation instructions accompanying any other switching device)

1. To install a wall switch, mount a standard 3" X 2" electrical box in the wall near the fireplace. Run thermostat wire (18 gauge wire) from the electrical box to the millivolt valve. At the valve, connect the lead wires to the two outside terminals labeled "TH".
2. Mount the wall switch to the electrical box and install the cover plate.
 - If using a remote control attach the leads from the receiver to the same terminals as the Wall Switch on the RSMVNG-C valve.

LIGHTING INSTRUCTIONS

FOR YOUR SAFETY READ BEFORE LIGHTING

WARNING: If you do not follow these instructions exactly, a fire or explosion may result causing property damage, personal injury or loss of life.

A. This appliance has a pilot, which must be lit by hand. When lighting the pilot, follow these instructions exactly.

B. Before lighting smell all around the appliance area for gas. Be sure to smell next to the floor because some gas is heavier than air and will settle on the floor.

FOR YOUR SAFETY **"What to do if you smell gas"**

- * **Do not try to light any appliance.**
- * **Do not touch any electrical switch; do not use any phone in your building.**
- * **Immediately call your gas supplier from a neighbor's phone. Follow the gas supplier's instructions.**
- * **If you cannot reach your gas supplier, call the fire department.**

C. Use only your hand to push in or turn the gas control knob. Never use tools. If the knob will not push in or turn by hand, don't try to repair it. Call a qualified service technician. Forced or attempted repair may result in a fire or explosion.

D. **Do not** use this appliance if any part has been under water. Immediately call a qualified service technician to inspect the appliance and to replace any part of the control system and any gas control, which has been under water.

PILOT LIGHTING PROCEDURE

CAUTION: Make sure the wall switch and remote are in the *off* position before lighting the pilot.

1. Turn the gas control knob to the *off* position (it will

be necessary to depress the knob slightly at the *pilot* position). Allow five minutes for any gas in the combustion chamber to escape (LP gas, which is heavier than air, may require forced ventilation).

2. Turn the gas control knob to the *pilot* position.

3. Push in on the gas control knob and light the pilot immediately. Hold the knob down for one full minute after lighting the pilot.

4. When the gas control knob is released, the pilot flame should continue to burn (if the pilot goes out; repeat the above steps).

5. Rotate the gas control knob from *pilot* to *on* position (full counterclockwise position) to supply full flow of gas to main burner.

6. Leaving the control knob in the full *on* position. The main burner can now be controlled by the remote control or wall switch. You can adjust the flame height by the control knob, if you turn it back towards the *pilot position* you will *decrease* the gas flow, in turn you will decrease the flame height.

PILOT FLAME ADJUSTMENT

These controls are factory preset and will not normally require additional adjustment of the pilot flame. If field adjustment of the pilot flame is required, remove the pilot adjustment cover screw to expose the adjusting screw. Turn the adjusting screw **clockwise** reduce flame, or **counterclockwise** to increase flame. Replace pilot adjustment cover screw and tighten securely.